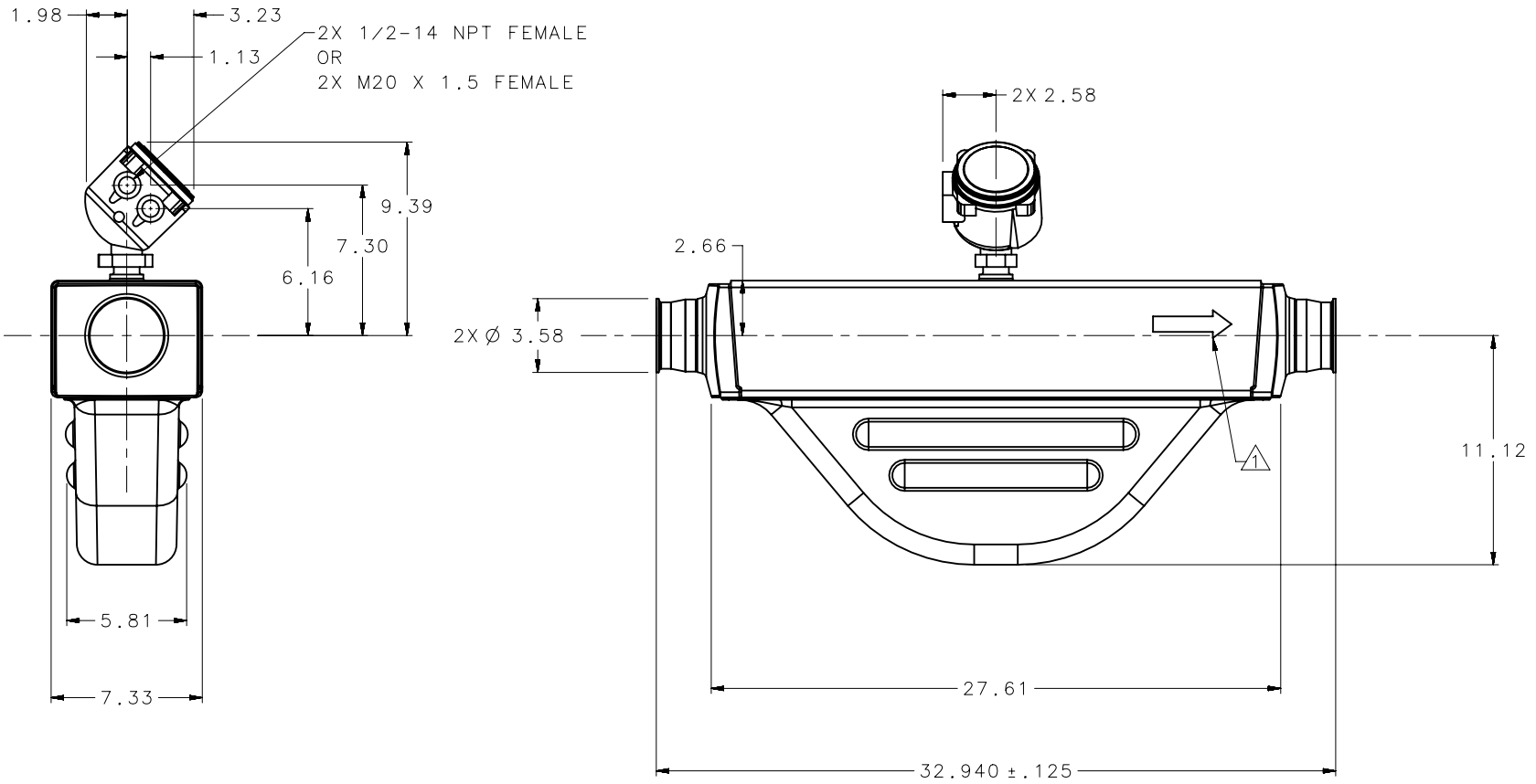


△ THE ARROW, MARKED ON SENSOR EXTERIOR INDICATES NORMAL FLOW DIRECTION. THE TRANSMITTER CAN BE CONFIGURED FOR NORMAL (FORWARD), REVERSED OR BI-DIRECTIONAL FLOW.



F O R I N F O R M A T I O N O N L Y



MODEL: F300S361E2BAEZZZZ
 MICRO MOTION DIMENSIONAL DRAWING

DRAWN BY: PRG
 REV:
 DATE: January 22, 2021
 DIMENSIONS ARE IN ENGLISH
 DO NOT SCALE DRAWING

MATERIALS (WHERE APPLICABLE):
 SAN-FIT: TRI-CLAMP COMPATIBLE, 316L
 SENSOR: 316L / CF-3M STAINLESS STEEL; SENSOR CASE: 304L STAINLESS STEEL
 ENCLOSURE: ENHANCED CORE, POLYURETHANE PAINTED ALUMINUM
 ALLOWS FULL 360° ROTATION IN 45° INCREMENTS TO ORIENT WIRING CONDUIT OPENING
 WEIGHT: 84 LBF

ADDITIONAL NOTES:

© Micro Motion / Emerson Process Management
 For more information obtain a Product Data Sheet or Installation Manual at www.emersonprocess.com