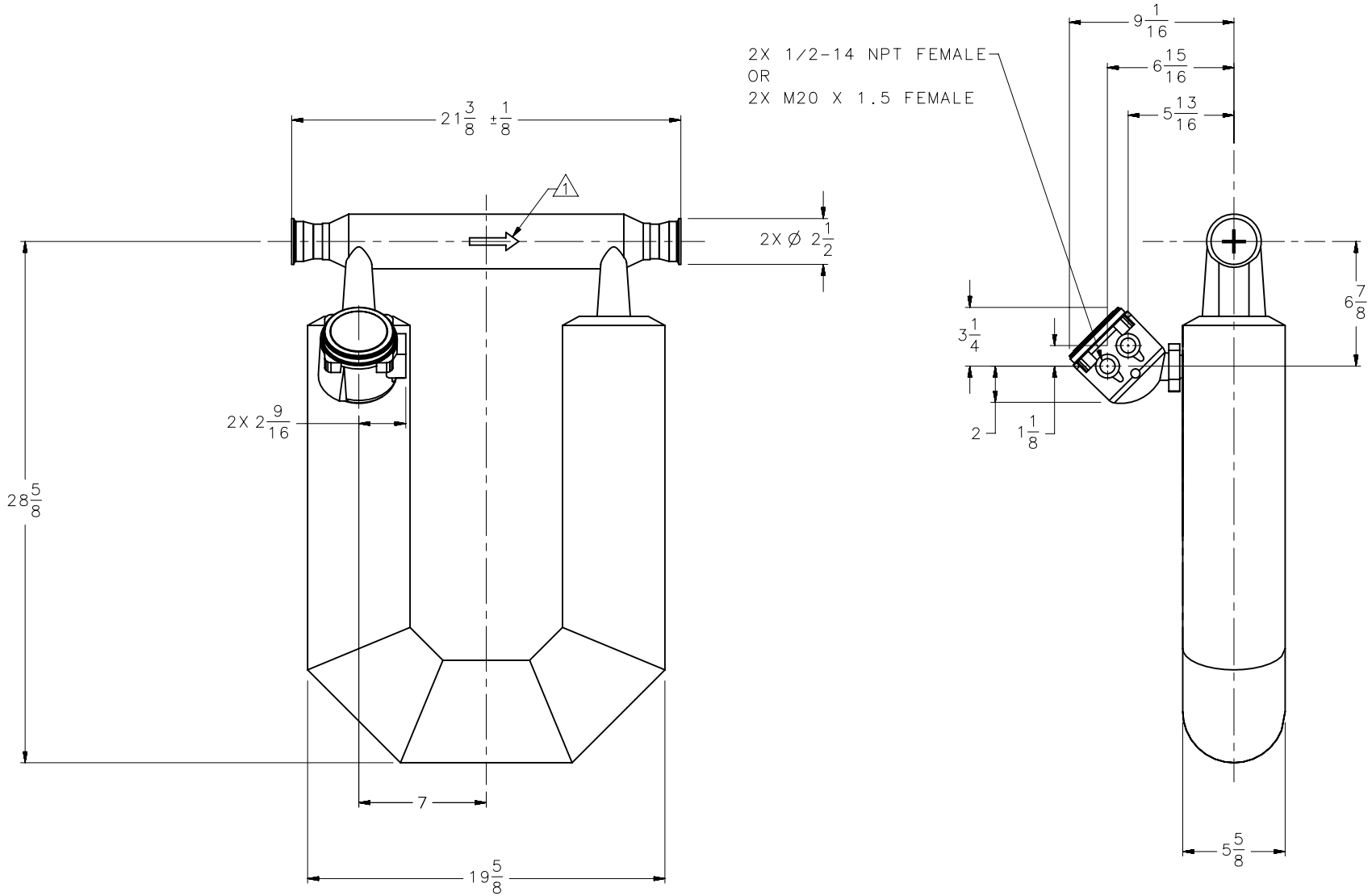


△ THE ARROW, MARKED ON SENSOR EXTERIOR INDICATES NORMAL FLOW DIRECTION. THE TRANSMITTER CAN BE CONFIGURED FOR NORMAL (FORWARD), REVERSED OR BI-DIRECTIONAL FLOW.



F O R I N F O R M A T I O N O N L Y



MODEL:
CMF200M352N2BAEZZZ

MICRO MOTION DIMENSIONAL DRAWING

© Micro Motion / Emerson Process Management
For more information obtain a Product Data Sheet or Installation Manual at www.emersonprocess.com

DRAWN BY: PRG

REV:

DATE: July 22, 2021

DIMENSIONS ARE IN ENGLISH

DO NOT SCALE DRAWING

MATERIALS (WHERE APPLICABLE):
SAN-FTG: TRI-CLAMP COMPATIBLE, 21N 316L

SENSOR: 316L / CF-3M STAINLESS STEEL; SENSOR CASE: 304L STAINLESS STEEL
ENCLOSURE: ENHANCED CORE, POLYURETHANE PAINTED ALUMINUM
ALLOWS FULL 360° ROTATION IN 45° INCREMENTS TO ORIENT WIRING CONDUIT OPENING

WEIGHT: 60 LBF

ADDITIONAL NOTES: