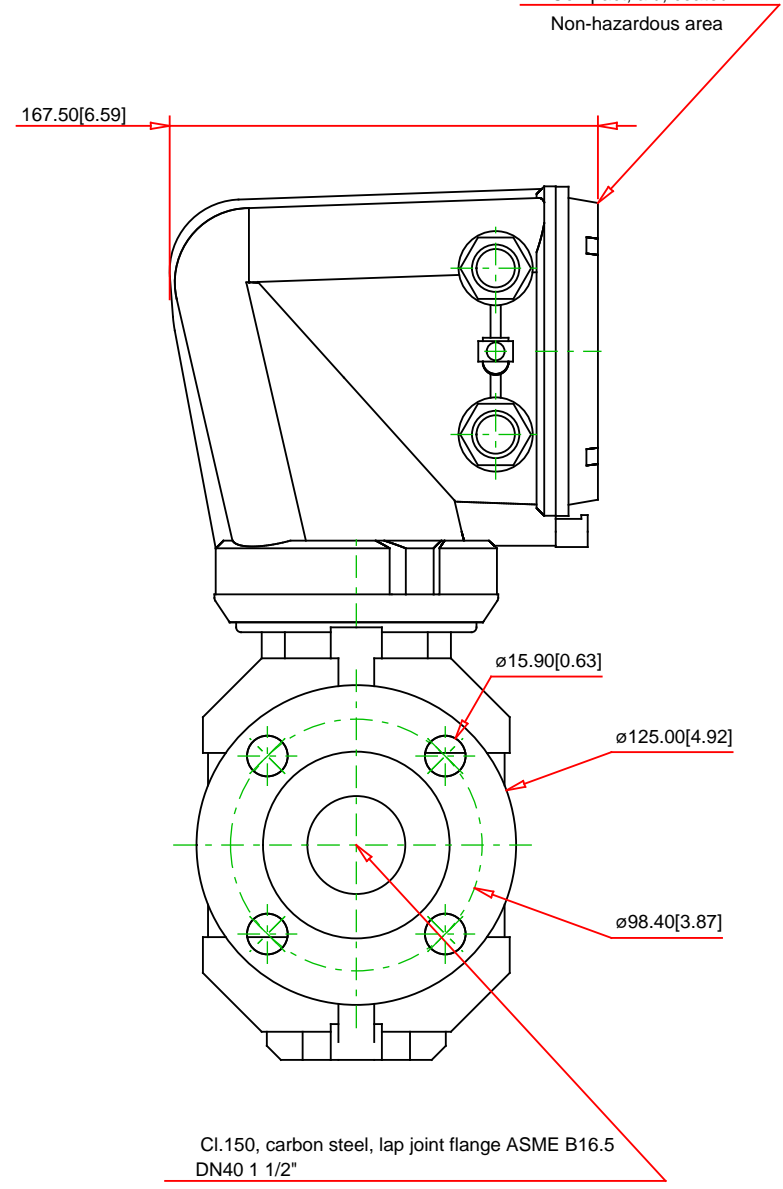
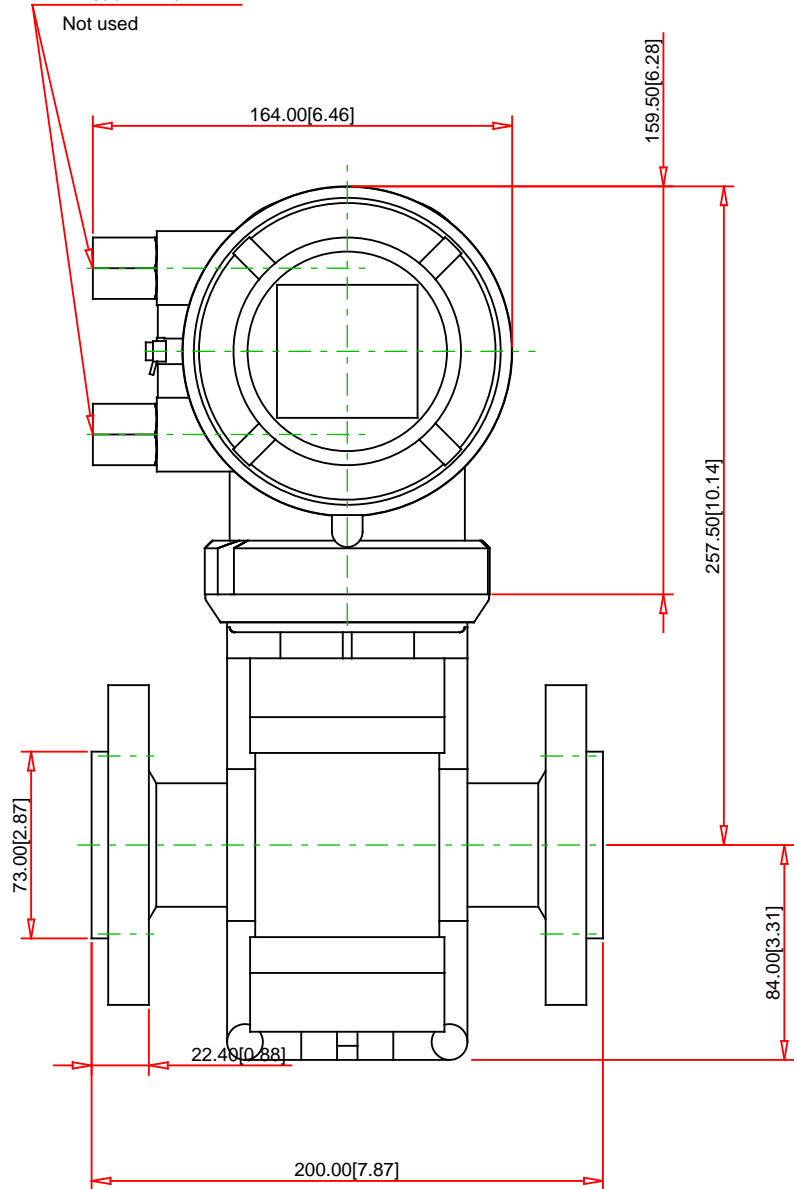


Due to a transition phase from DIN 2501 / EN 1092-1 (2001) to EN 1092-1 (2013) for DN 1000 - DN 2400 you may still receive flanges according to the old standard. Additional details and dimensions are available in the Operating Instructions (BA) Compact, alu, coated



Cl.150, carbon steel, lap joint flange ASME B16.5
 DN40 1 1/2"
 LINER: Polyurethane

First Angle Projection XX.X [x.xx] = mm [inch]

Disclaimer:
 To ensure the accuracy of the information contained in this document every reasonable effort has been made. Endress+Hauser may not make any warranties, express or implied, with respect to the accuracy, the completeness or the technical or commercial usefulness of this document. Endress+Hauser may modify or replace this document any time.
 © 19.07.2021 Endress+Hauser

Order Code :
 5WBB40-AADAEBJA0DUA120AA1

Product Description :
 Promag W 10, 5WBB40, DN40 1 1/2"

www.addresses.endress.com

Endress+Hauser 

People for Process Automation