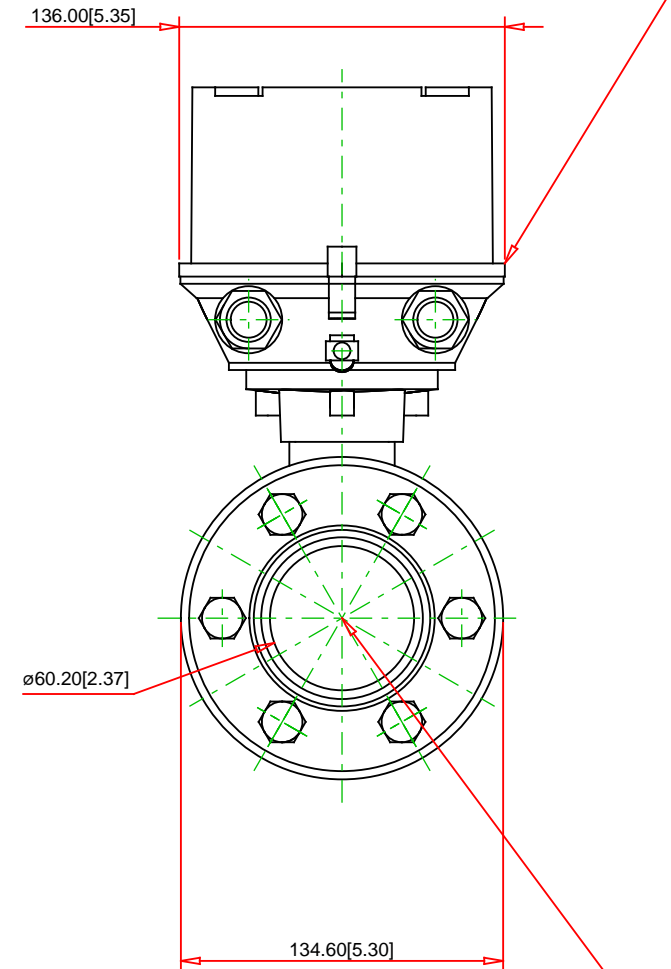
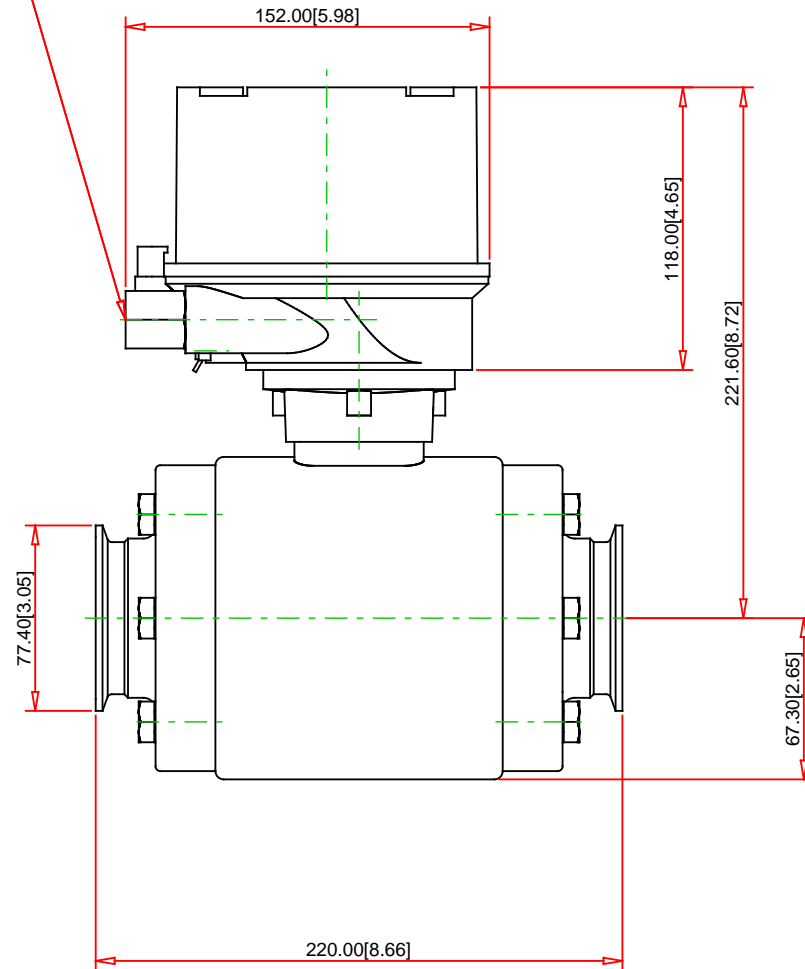


Thread NPT1/2
 CSA C/US NI Cl.I Div.2 Gr. ABCD

Compact, alu, coated



Tri-Clamp, ASME BPE, 1.4404/316L, for pipe size: DN2-8=1/2", DN15=3/4", DN25=1"

First Angle Projection XX.X [x.xx] = mm [inch]

Disclaimer:
 To ensure the accuracy of the information contained in this document every reasonable effort has been made. Endress+Hauser may not make any warranties, express or implied, with respect to the accuracy, the completeness or the technical or commercial usefulness of this document. Endress+Hauser may modify or replace this document any time.
 © 19.07.2021 Endress+Hauser

Order Code :
 5H1B65-C6DBBADFFAS0A

Product Description :
 Promag H 100, 5H1B65, DN65 2 1/2"

www.addresses.endress.com

Endress+Hauser 

People for Process Automation