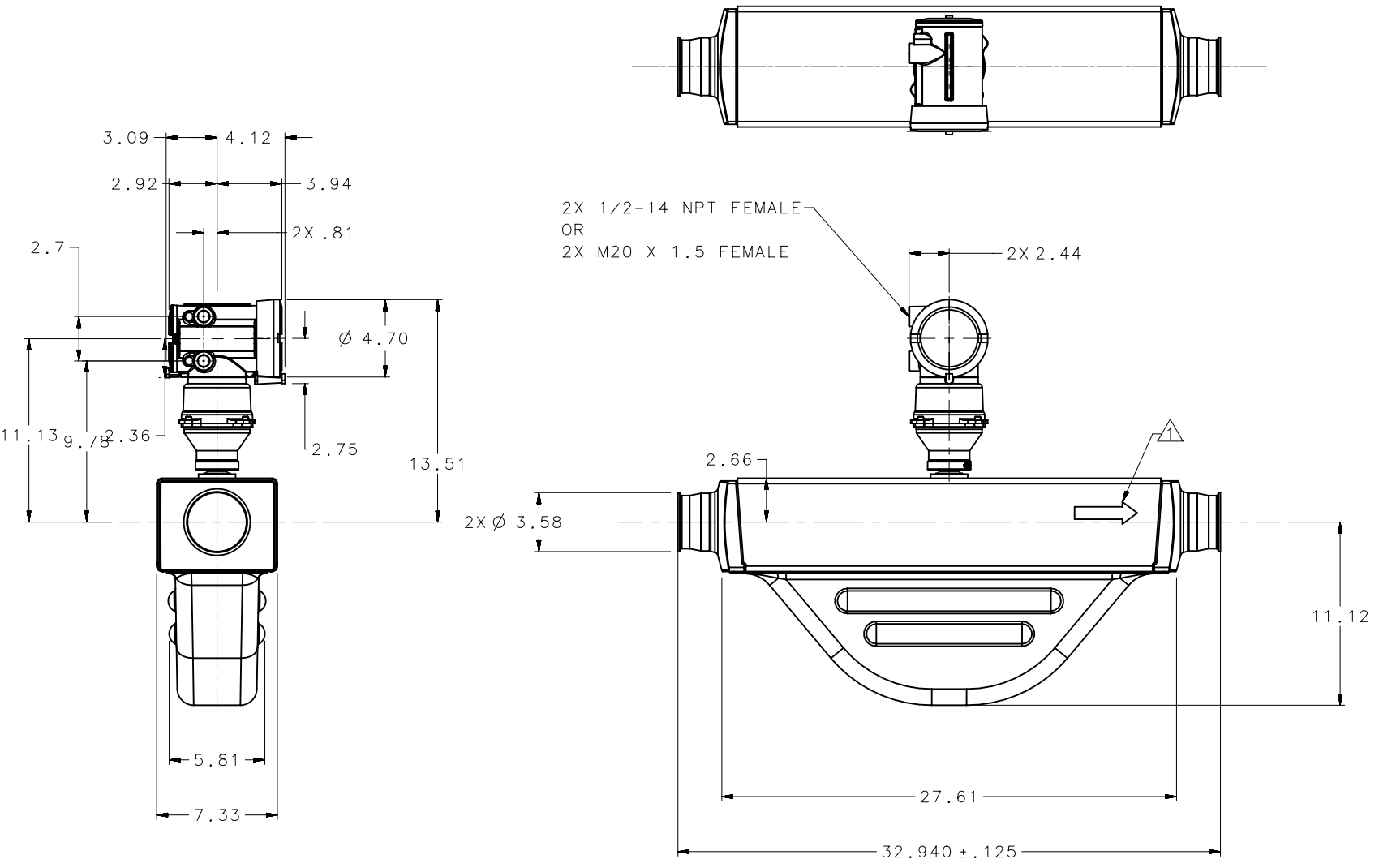


⚠ THE ARROW, MARKED ON SENSOR EXTERIOR INDICATES NORMAL FLOW DIRECTION. THE TRANSMITTER CAN BE CONFIGURED FOR NORMAL (FORWARD), REVERSED OR BI-DIRECTIONAL FLOW.



F O R I N F O R M A T I O N O N L Y



MODEL:
 R300S361NCAAEZYZZ
 1700112ABAEZZZ

MICRO MOTION DIMENSIONAL DRAWING

© Micro Motion / Emerson Process Management
 For more information obtain a Product Data Sheet or Installation Manual at www.emersonprocess.com

DRAWN BY: PRG
 REV:
 DATE: July 22, 2021
 DIMENSIONS ARE IN ENGLISH
 DO NOT SCALE DRAWING

MATERIALS (WHERE APPLICABLE):
 SAN-FITG: TRI-CLAMP COMPATIBLE, 31N 316L
 SENSOR: 316L / CF-3M STAINLESS STEEL; SENSOR CASE: 304L STAINLESS STEEL
 ENCLOSURE: MVD; POLYURETHANE PAINTED ALUMINIUM
 ALLOWS FULL 360° ROTATION IN 90° INCREMENTS TO ORIENT WIRING CONDUIT OPENING

WEIGHT: 90 LBF

ADDITIONAL NOTES: