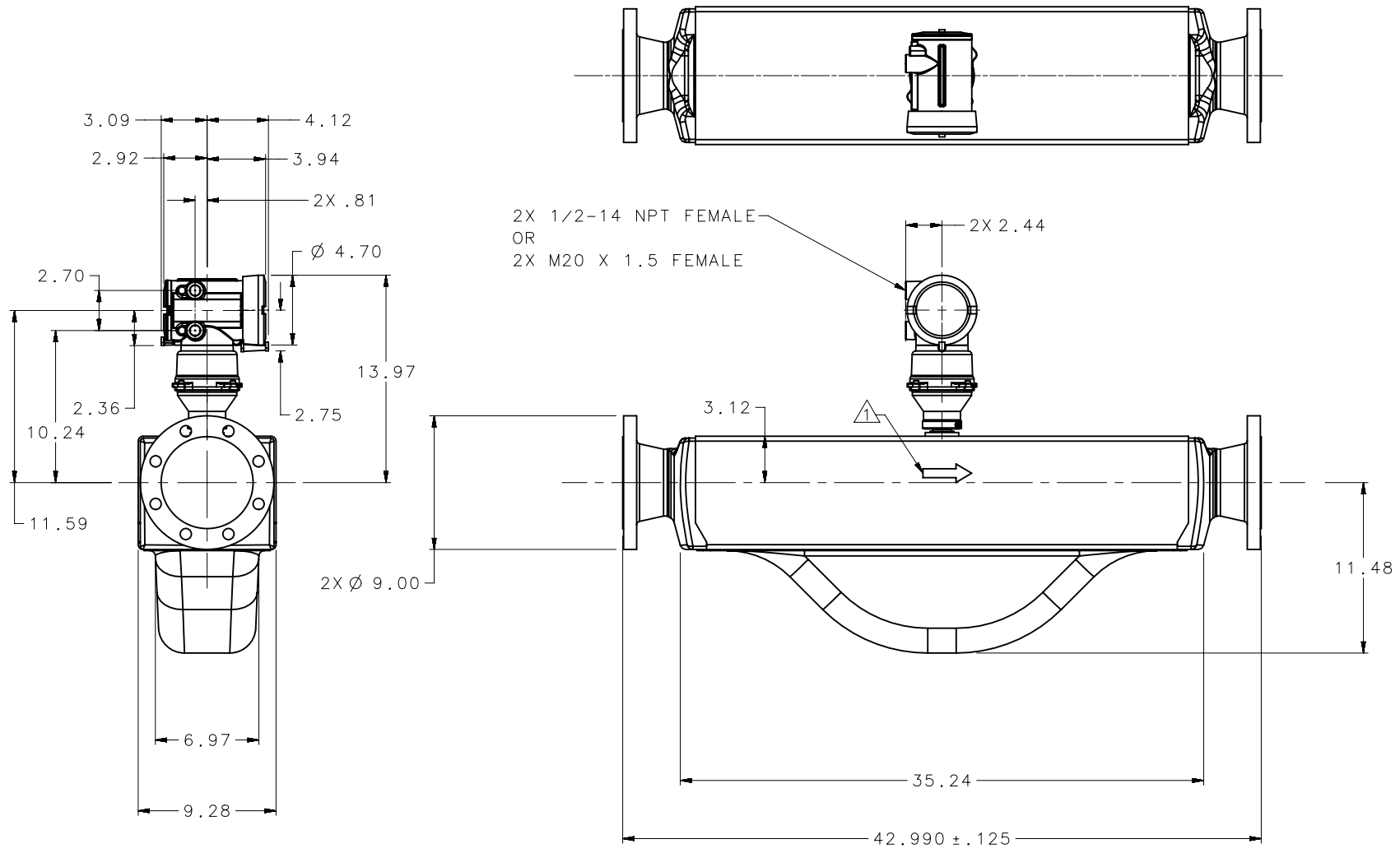


△ THE ARROW, MARKED ON SENSOR EXTERIOR INDICATES NORMAL FLOW DIRECTION. THE TRANSMITTER CAN BE CONFIGURED FOR NORMAL (FORWARD), REVERSED OR BI-DIRECTIONAL FLOW.



F O R I N F O R M A T I O N O N L Y



MODEL:
F400S435ECAAEZZZZ
1700I12ABAEZZZ

DRAWN BY: PRG
REV:
DATE: July 22, 2021
DIMENSIONS ARE IN ENGLISH
DO NOT SCALE DRAWING

MATERIALS (WHERE APPLICABLE):
FLANGE: ASME B16.5 41N CL150 WN RF F316/F316L
SENSOR: 316L / CF-3M STAINLESS STEEL; SENSOR CASE: 304L STAINLESS STEEL
ENCLOSURE: MVD; POLYURETHANE PAINTED ALUMINIUM
ALLOWS FULL 360° ROTATION IN 90° INCREMENTS TO ORIENT WIRING CONDUIT OPENING

ADDITIONAL NOTES:

MICRO MOTION DIMENSIONAL DRAWING
© Micro Motion / Emerson Process Management
For more information obtain a Product Data Sheet or Installation Manual at www.emersonprocess.com

WEIGHT: 186 LBF