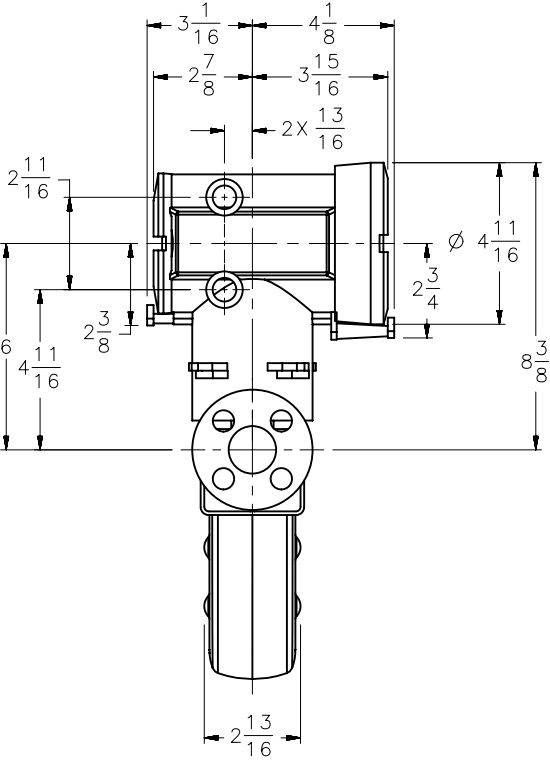
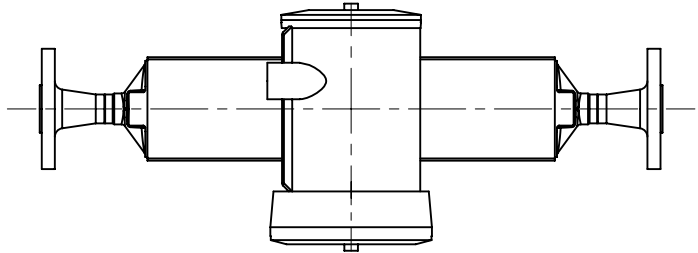
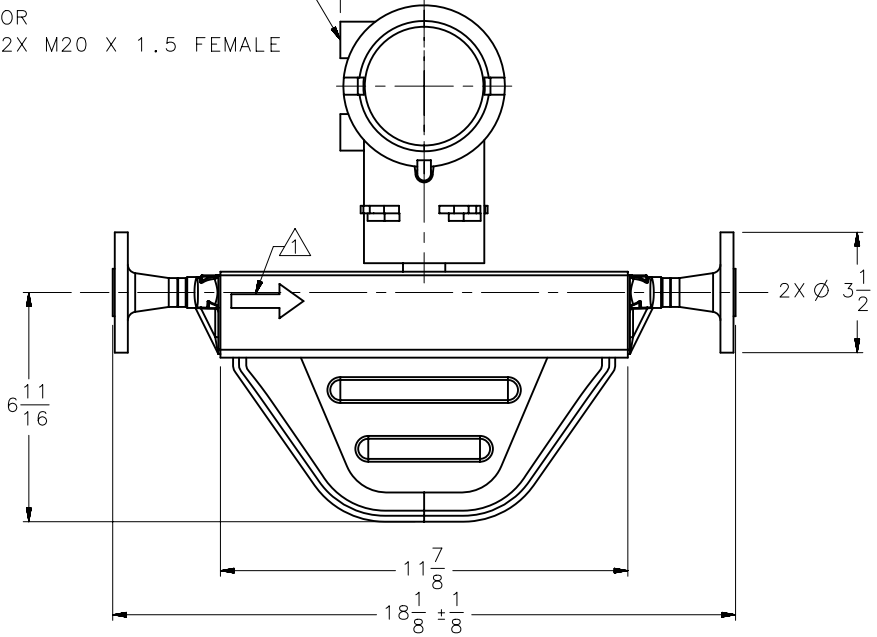


△ THE ARROW, MARKED ON SENSOR EXTERIOR INDICATES NORMAL FLOW DIRECTION. THE TRANSMITTER CAN BE CONFIGURED FOR NORMAL (FORWARD), REVERSED OR BI-DIRECTIONAL FLOW.



2X 1/2-14 NPT FEMALE  
OR  
2X M20 X 1.5 FEMALE

2X 2 7/16



F O R I N F O R M A T I O N O N L Y



MODEL:  
R050S113NCAAEZYZZ  
1700I12ABAEZZZ

MICRO MOTION DIMENSIONAL DRAWING

© Micro Motion / Emerson Process Management  
For more information obtain a Product Data Sheet or Installation Manual at [www.emersonprocess.com](http://www.emersonprocess.com)

DRAWN BY: PRG  
REV:  
DATE: July 22, 2021  
DIMENSIONS ARE IN ENGLISH  
DO NOT SCALE DRAWING

MATERIALS (WHERE APPLICABLE):  
FLANGE: ASME B16.5 1/2IN CL150 WN RF F316/F316L  
SENSOR: 316L / CF-3M STAINLESS STEEL; SENSOR CASE: 304L STAINLESS STEEL  
ENCLOSURE: MVD; POLYURETHANE PAINTED ALUMINIUM  
ALLOWS FULL 360° ROTATION IN 90° INCREMENTS TO ORIENT WIRING CONDUIT OPENING

WEIGHT: 21 LBF

ADDITIONAL NOTES: