



Kiwi Series 20 Mini Coder



Features

- Compact- Fits restricted spaces
- Continuous or registered imprints
- Ideal for imprinting small, lightweights cartons, (Low starting torque)
- Quick change ink cartridges, KI, K6, or K7. Inks for absorbent or semi-absorbent surfaces
- Hinged cover protects ink cartridge from contaminants and ink evaporation.
- Side, top or bottom mounting.



Applications

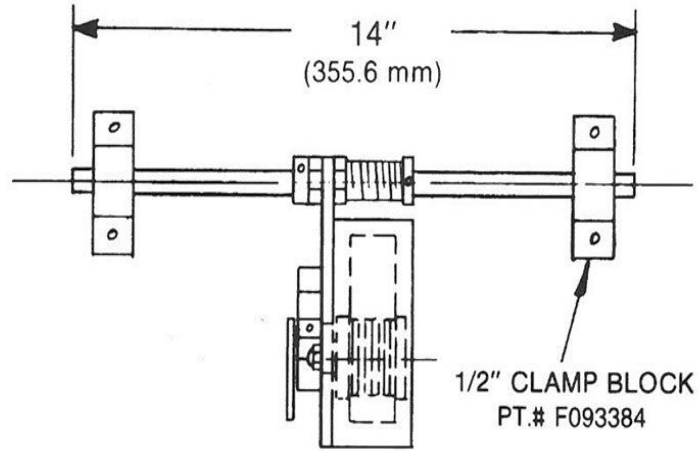
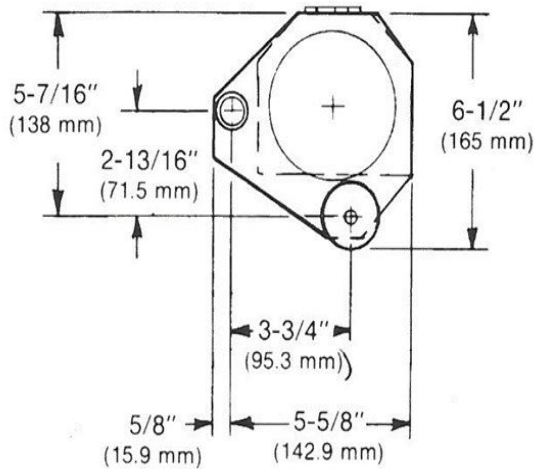
- Lightweight cartons
- Packs with continuous printing on webstock.

Kiwi Coders Corporation, 265 E. Messner Dr. Wheeling, IL 60090 USA
847-541-4511 (phone) 847-541-6332 (fax)
e-mail: info@kiwicoders.com Website: www.kiwicoders.com

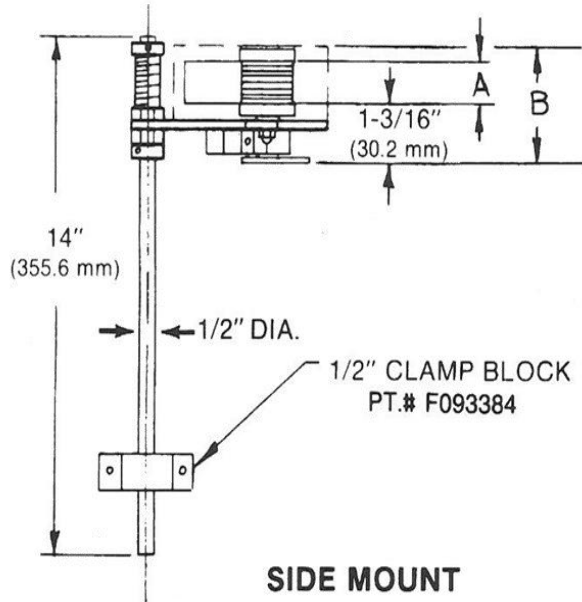
Bulletin 511A

KIWI SERIES 20 MINI CODERS

Mounting Dimensions and Specifications



TOP MOUNT



SIDE MOUNT

Model	A PRINT HEIGHT	B OVERALL HEIGHT
21	7/8" (22.2 mm)	3" (76.2 mm)
22	1-7/8" (47.6 mm)	4" (101.6 mm)
23	2-7/8" (73 mm)	5" (127 mm)

Note: Coders furnished with mounting hardware and one ink cartridge less printing type.

SPECIFICATIONS:

Marking Wheel: 6" (152mm) circumference. 1" (25.4mm) 2" (51mm) or 3" (76mm) marking wheel widths. 1/4" (6mm) wide replaceable rubber drive tracks. Continuous random imprint. Registered imprint optional

Type System: Baselock (Bulletin 160) or Kiwi elastic type bands.

Inking System: Quick change K1, K6, or K7 ink cartridges. Protective cover. Adjustable. Inks available for absorbent and semi-absorbent surfaces. Black, red, green, and blue colors available.

Weight: Approx. 5-1/2 lbs. (2.5 Kg.)

How to Order:

- Specify mounting — side, top or bottom.
- Specify left or right hand mounting if side mount.
- Specify ink color and surface to be imprinted.
- Specify type size/style, message to be imprinted.

Model 2

S — Side Mount
 T — Top or Bottom
 1 — 1" (25 mm) marking wheel width
 2 — 2" (51 mm) marking wheel width
 3 — 3" (76 mm) marking wheel width

Example: Model 21S