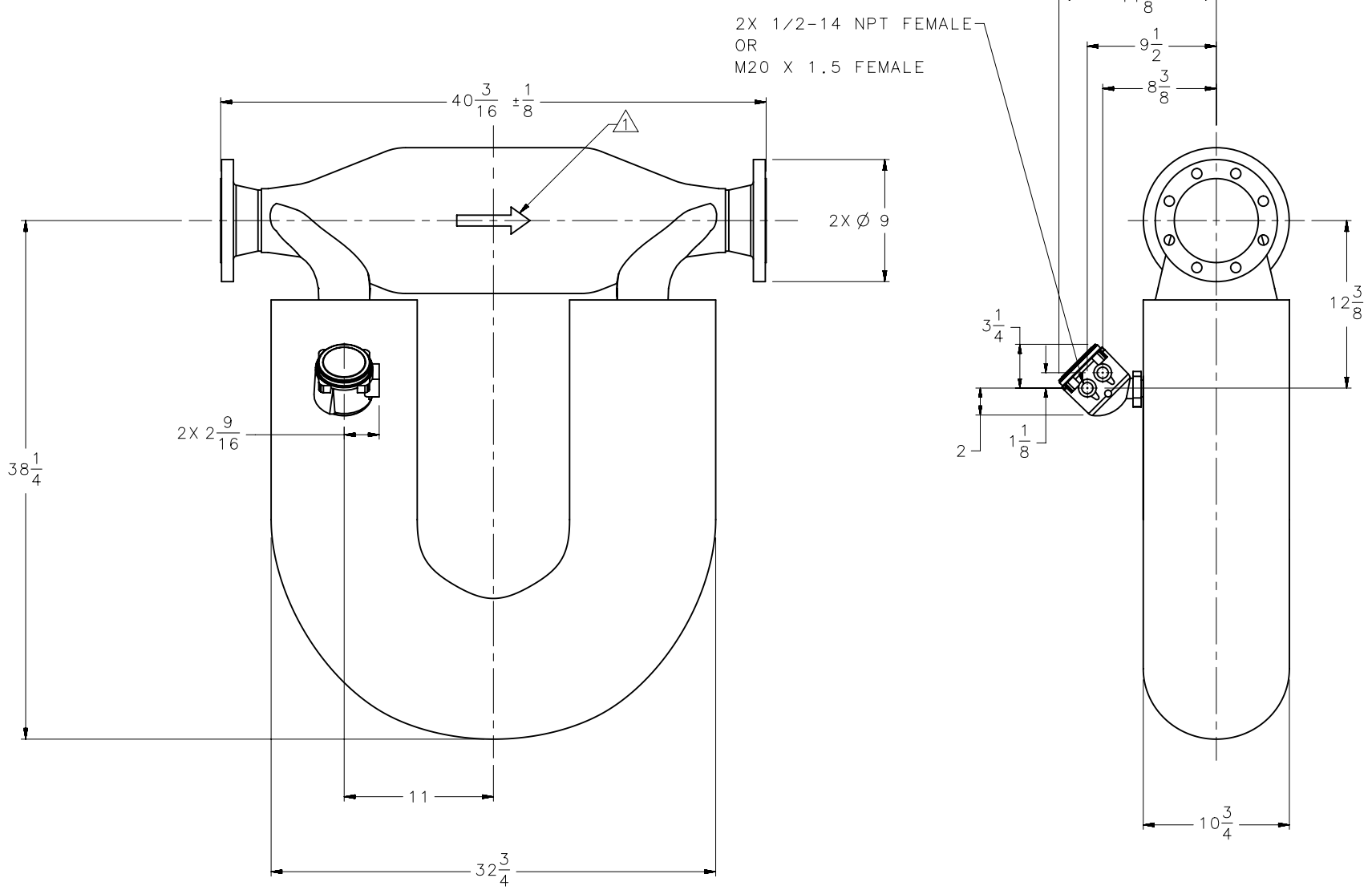


△ THE ARROW, MARKED ON SENSOR EXTERIOR INDICATES NORMAL FLOW DIRECTION. THE TRANSMITTER CAN BE CONFIGURED FOR NORMAL (FORWARD), REVERSED OR BI-DIRECTIONAL FLOW.



F O R I N F O R M A T I O N O N L Y

	MODEL: CMF400M435N2BAEZZZ	DRAWN BY: PRG REV: DATE: July 22, 2021 DIMENSIONS ARE IN ENGLISH	MATERIALS (WHERE APPLICABLE): FLANGE: ASME B16.5 4IN CL150 WN RF F316/F316L SENSOR: 316L / CF-3M STAINLESS STEEL; SENSOR CASE: 304L STAINLESS STEEL ENCLOSURE: ENHANCED CORE, POLYURETHANE PAINTED ALUMINUM ALLOWS FULL 360° ROTATION IN 45° INCREMENTS TO ORIENT WIRING CONDUIT OPENING	ADDITIONAL NOTES:
	MICRO MOTION DIMENSIONAL DRAWING	DO NOT SCALE DRAWING	WEIGHT: 443 LBF	
	<small>© Micro Motion / Emerson Process Management For more information obtain a Product Data Sheet or Installation Manual at www.emersonprocess.com</small>			