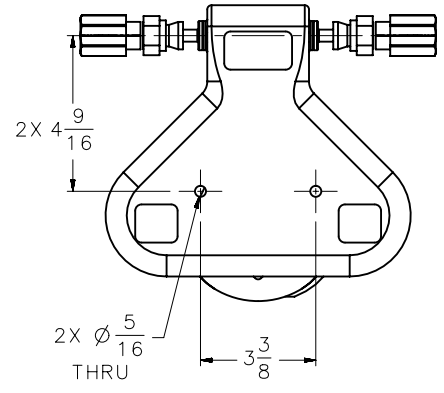
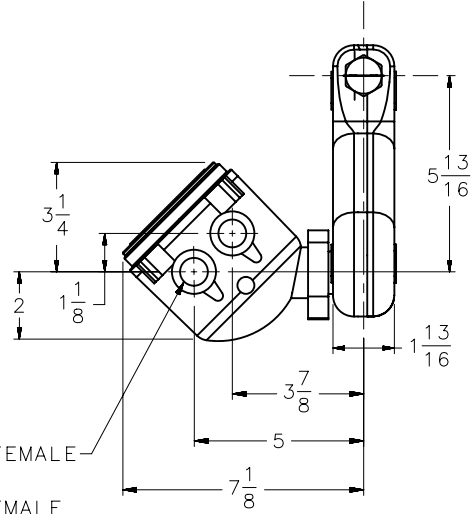
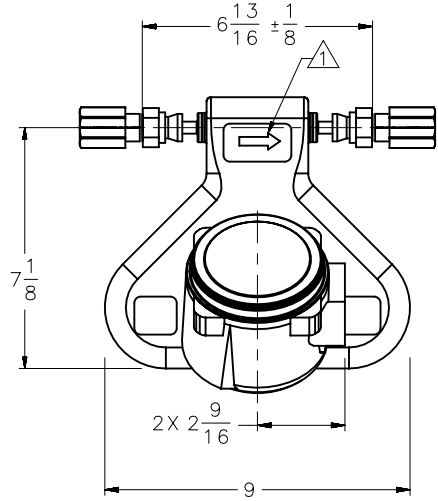
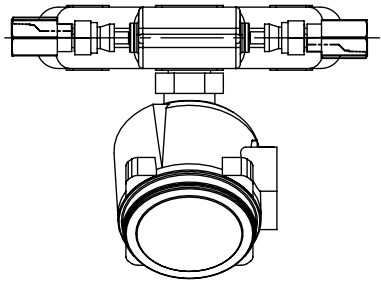


△ THE ARROW, MARKED ON SENSOR EXTERIOR INDICATES NORMAL FLOW DIRECTION. THE TRANSMITTER CAN BE CONFIGURED FOR NORMAL (FORWARD), REVERSED OR BI-DIRECTIONAL FLOW.



2X 1/2-14 NPT FEMALE
OR
2X M20 X 1.5 FEMALE



F O R I N F O R M A T I O N O N L Y



MODEL:
CMF010M319N2BAEZZZ

DRAWN BY: PRG
REV:
DATE: July 22, 2021
DIMENSIONS ARE IN ENGLISH
DO NOT SCALE DRAWING

MATERIALS (WHERE APPLICABLE):
FITTING: SWAGelok COMPATIBLE #8 VCO FITTING WITH 1/2IN NPT FEMALE ADAPTER 316, ORING VITON
SENSOR: 316L / CF-3M STAINLESS STEEL; SENSOR CASE: 304L STAINLESS STEEL
ENCLOSURE: ENHANCED CORE, POLYURETHANE PAINTED ALUMINUM
ALLOWS FULL 360° ROTATION IN 45° INCREMENTS TO ORIENT WIRING CONDUIT OPENING

ADDITIONAL NOTES:

MICRO MOTION DIMENSIONAL DRAWING
© Micro Motion / Emerson Process Management
For more information obtain a Product Data Sheet or Installation Manual at www.emersonprocess.com

WEIGHT: 19 LBF