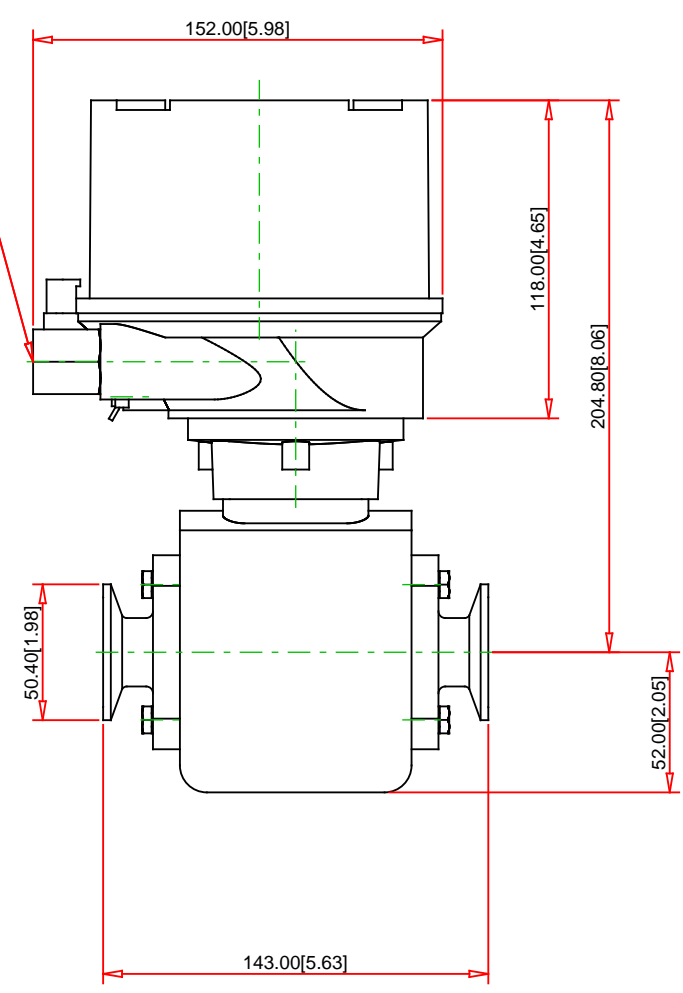
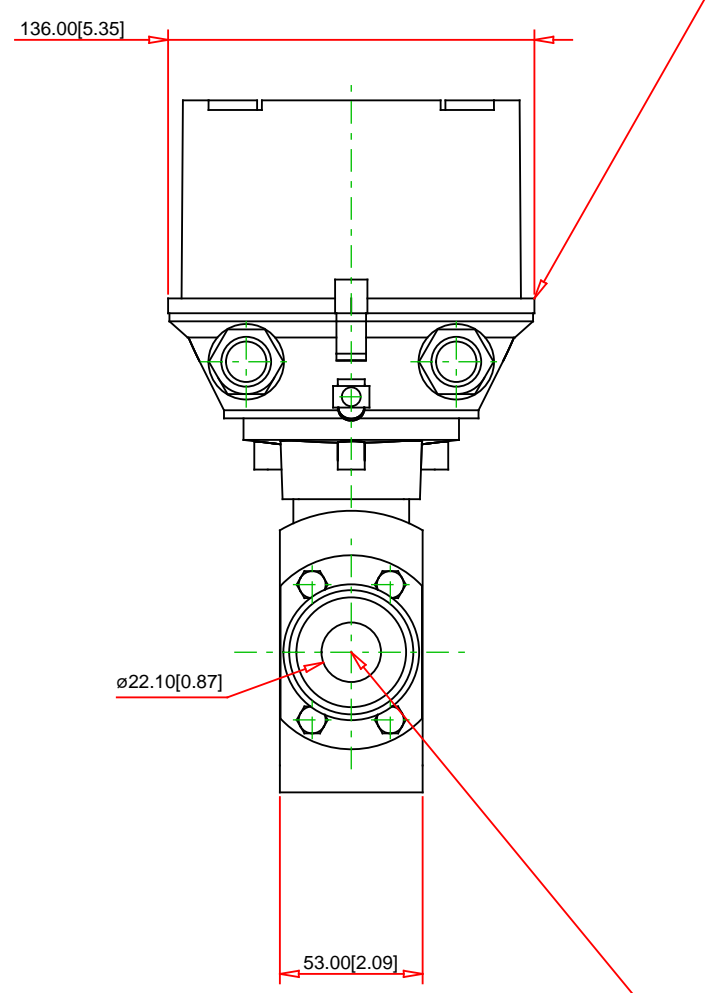


Thread NPT1/2  
Non-hazardous area



Compact, alu, coated



Tri-Clamp, ASME BPE, 1.4404/316L, for pipe size: DN2-8=1/2", DN15=3/4", DN25=1"


First Angle Projection XX.X [x.xx] = mm [inch]

**Disclaimer:**  
To ensure the accuracy of the information contained in this document every reasonable effort has been made. Endress+Hauser may not make any warranties, express or implied, with respect to the accuracy, the completeness or the technical or commercial usefulness of this document. Endress+Hauser may modify or replace this document any time.  
© 19.07.2021 Endress+Hauser

Order Code :  
5H1B22-AADBBADFFAS0A

Product Description :  
Promag H 100, 5H1B22, 1" ODT, SMS, ASME

[www.addresses.endress.com](http://www.addresses.endress.com)

**Endress+Hauser** 

People for Process Automation